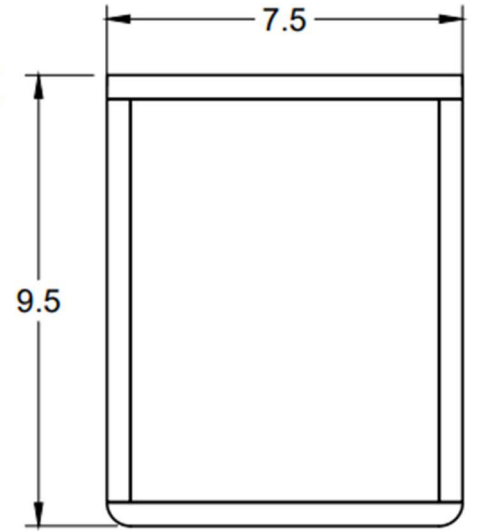
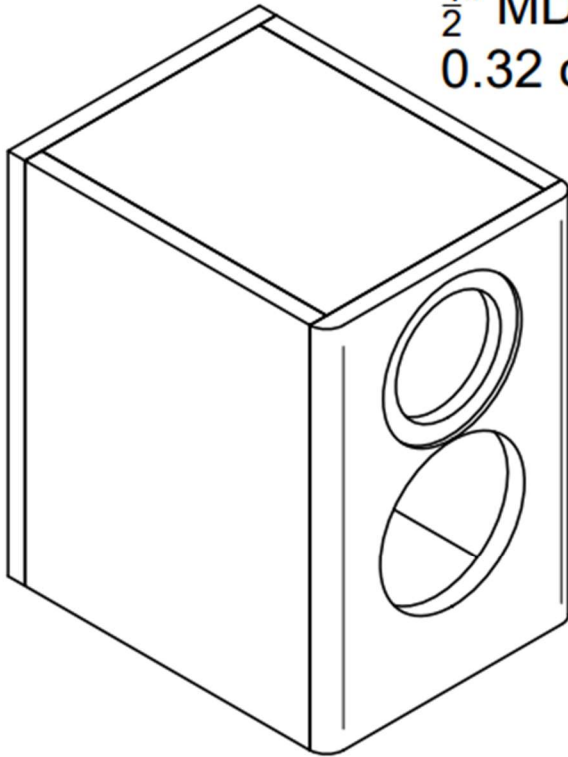
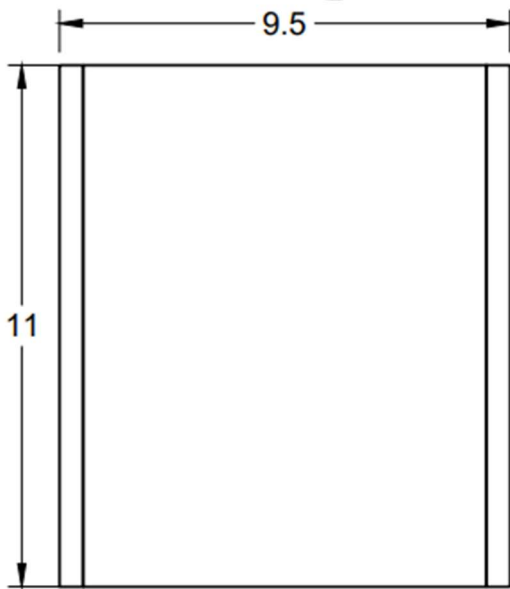


Detailed Enclosure Drawing:

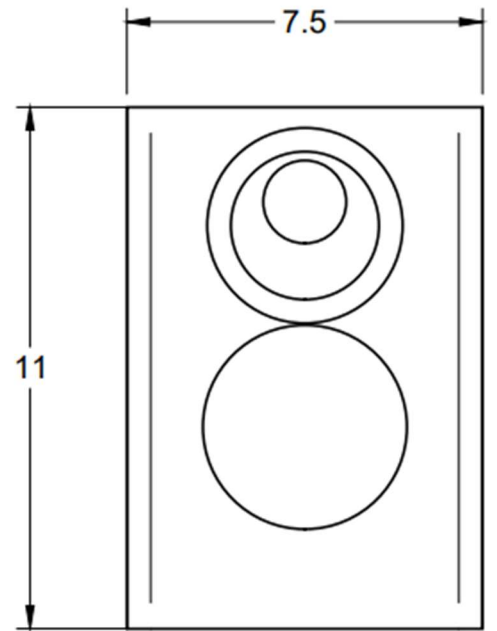
$\frac{1}{2}$ " MDF
0.32 cubic feet



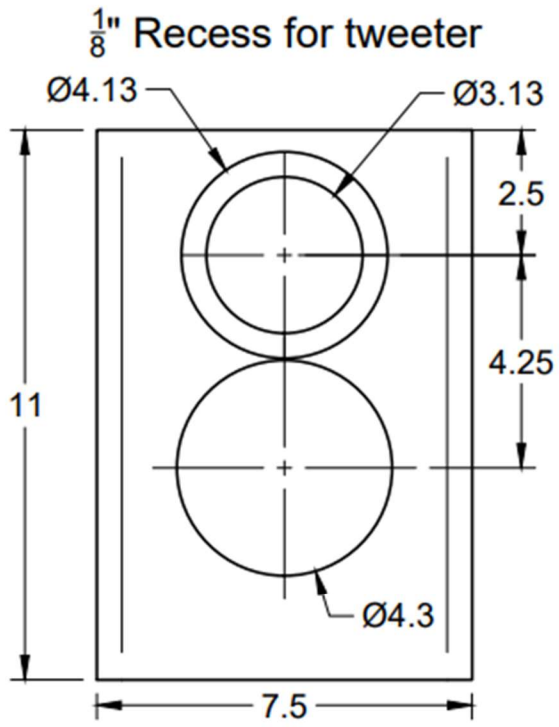
Top/Bottom



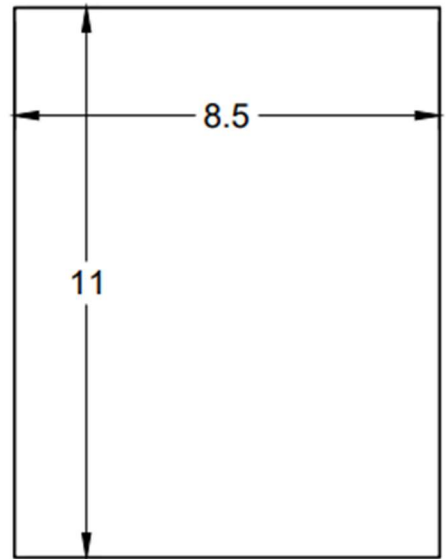
Left/Right



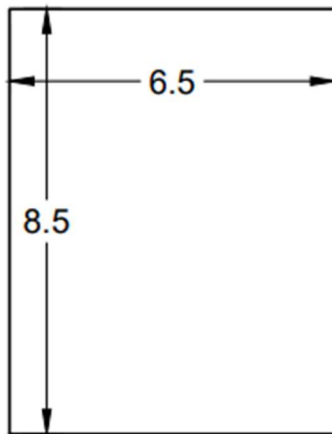
Front



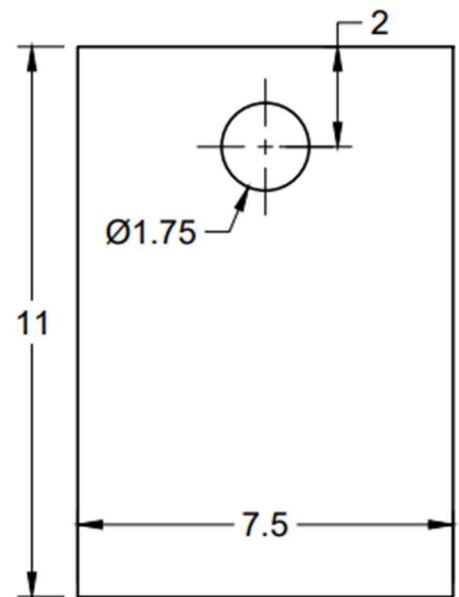
1 x Baffle



2 x Side



2 x Top/Bottom



1 x Back