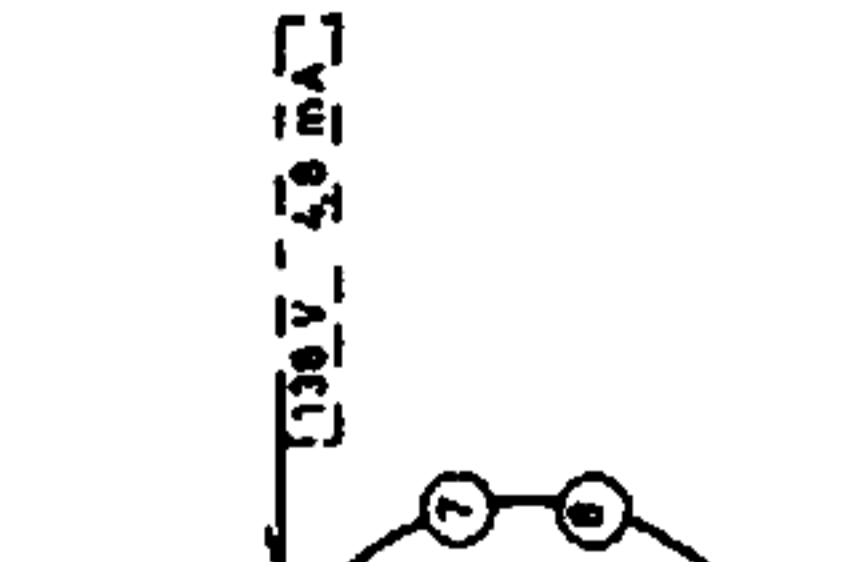
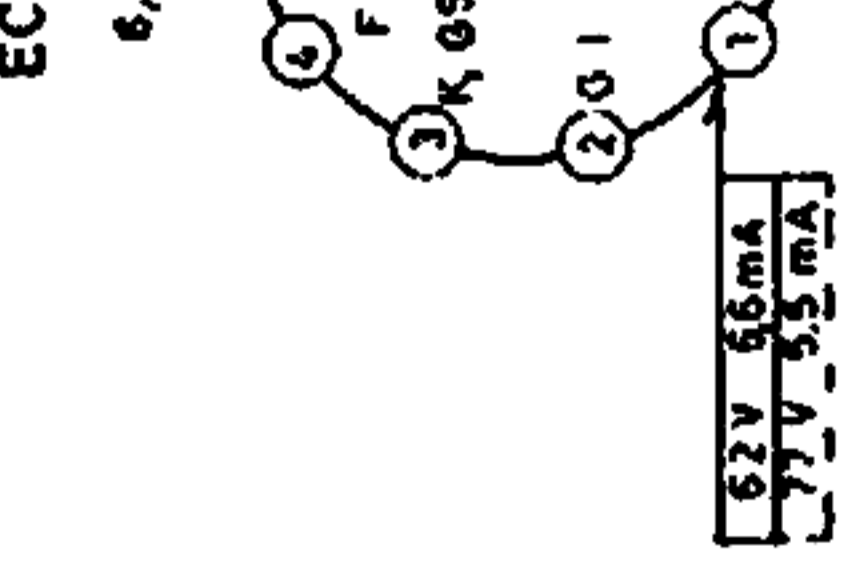


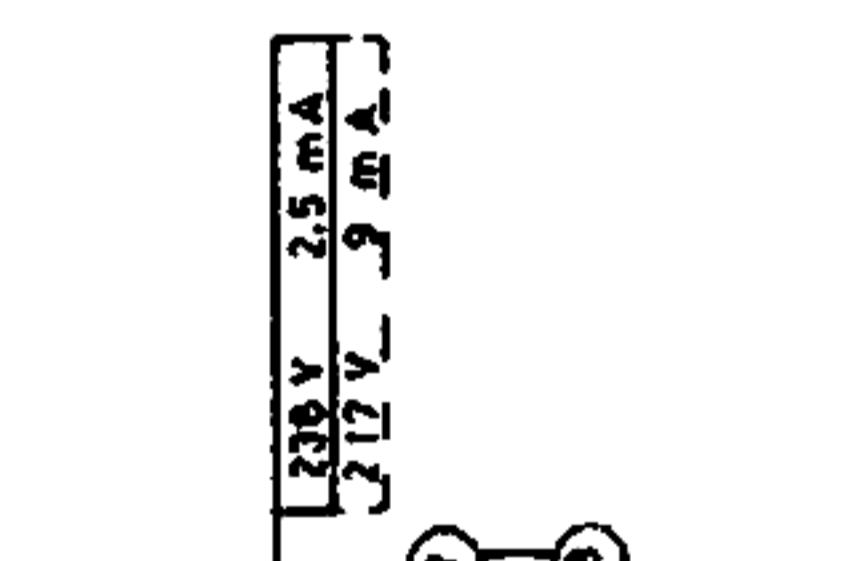
ECC 85 6.3V 0.43A



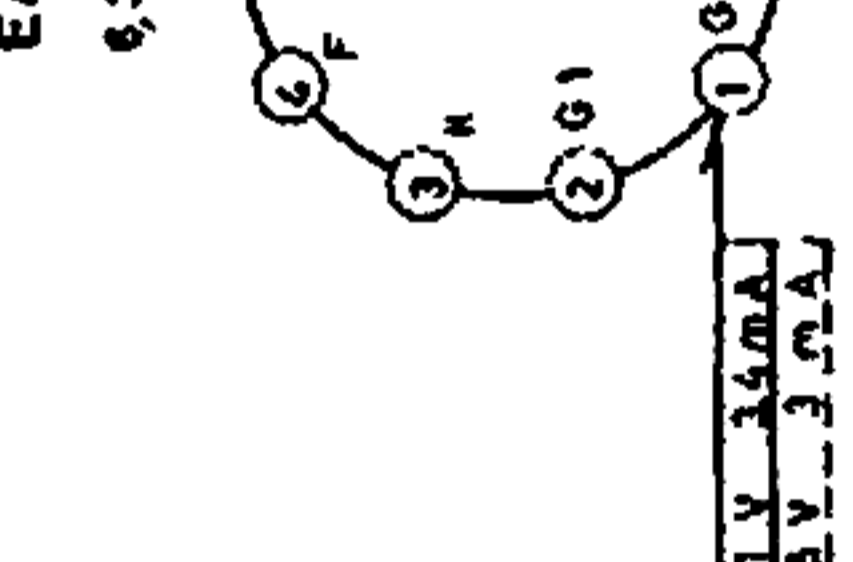
ECC 81 6.3V 0.3A



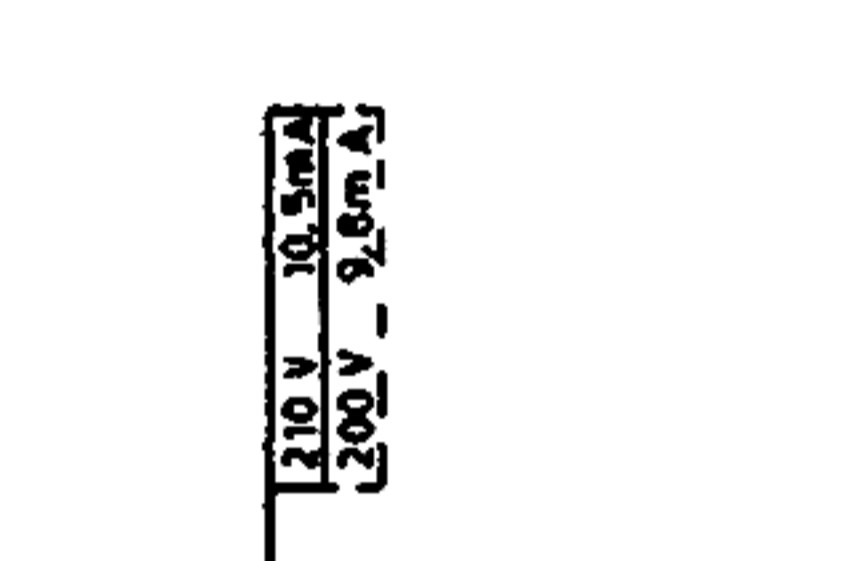
EAF 801 6.3V 0.2A



EM 87 6.3V 0.3A



ECC 83 6.3V 0.3A



2X ECLL 800 6.3V 0.6A

Spanningen met Grundig Röhrevoltmeter gemessen. Meßwerte gelten bei [W] [V] [A] ohne Signal an der Antenne.

VOLTAGES MEASURED TO AGAINST CHASSIS WITH GRUNDIG VTVM. MEASURING VALUES VALID FOR [W] [V] [A] WITHOUT SIGNAL ON AERIAL

TENSIONS DE SERVICE MESUREES AU CHASSIS AVEC GRUNDIG VOLTMETRE A LAPE UNIVERSEL LES TENSIONS DE SERVICE SONT VALABLES POUR [W] [V] [A] SANS SIGNAL A ANTENNE

Änderungen vorbehalten  
ALTERATIONS RESERVED  
MODIFICATIONS RESERVEES

1-1- STEREO RECHTS  
2- Masse  
3- STEREO LINKS  
4- Autonomie Mono  
5- Autonomie Stereo links  
6- Autonomie Stereo rechts

1-1- STEREO DROITE  
2- MASSE  
3- STEREO GAUCHE  
4- AUTONOMIE MONO  
5- AUTONOMIE STEREO GAUCHE  
6- AUTONOMIE STEREO DROITE

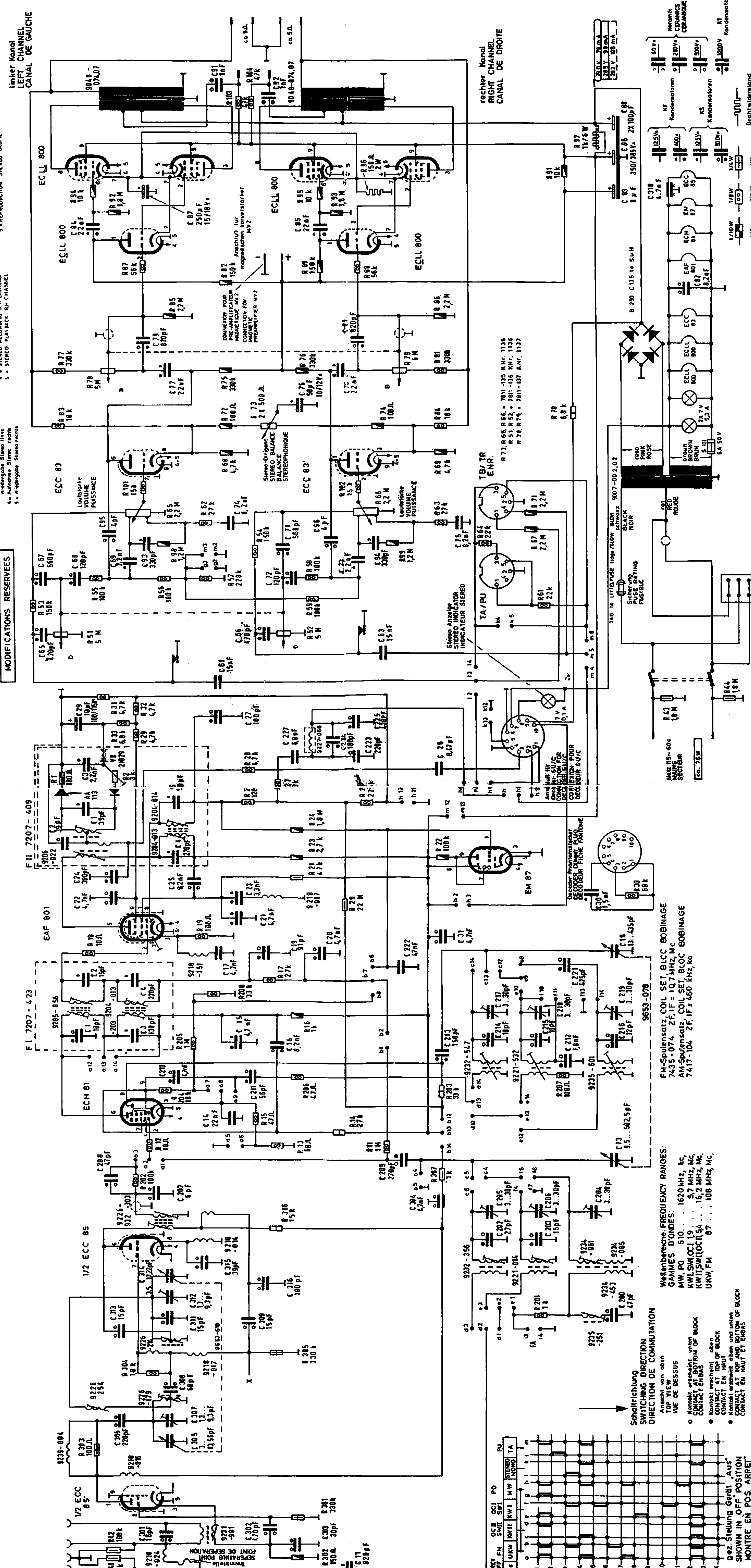


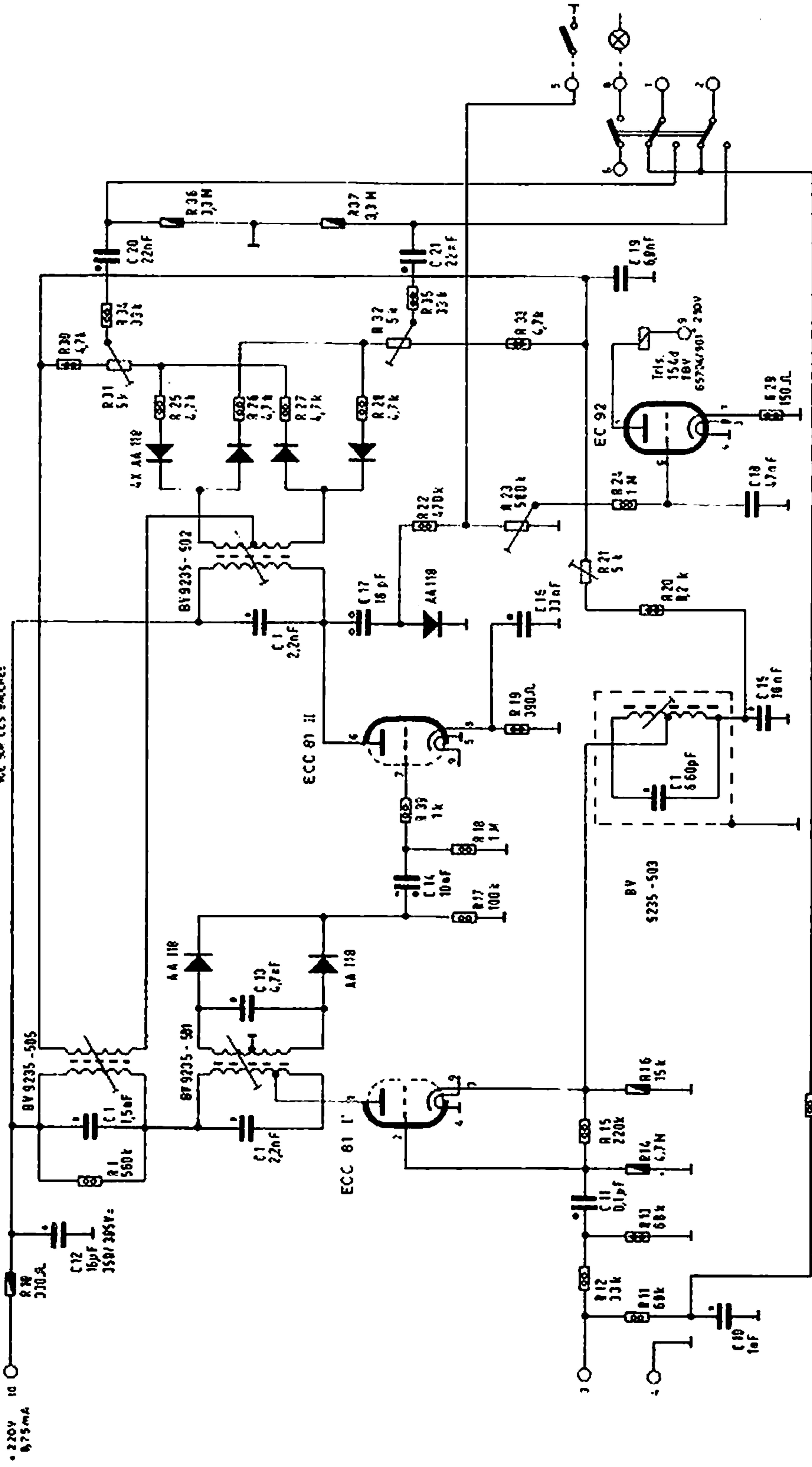
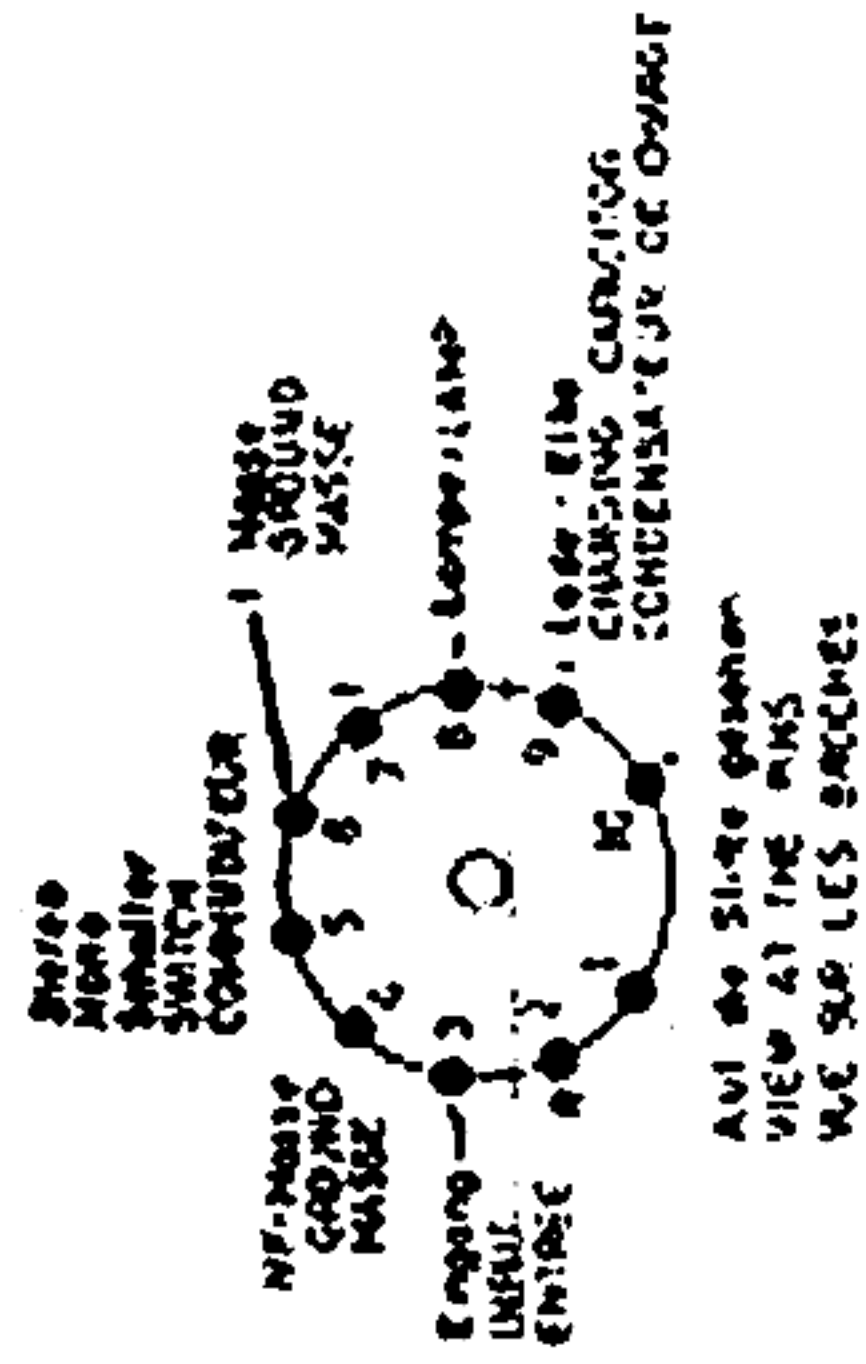
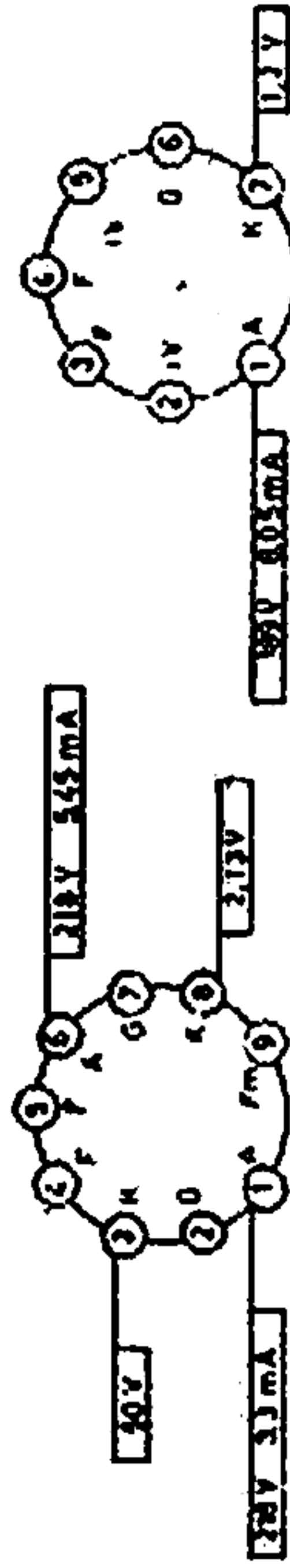
Table with 14 columns: C, F, R, PU, and various component values. It lists component specifications and their locations on the chassis.



WERKE GMBH FURTH (BAY.)  
KS 750U/KS 760 U  
(19-8034-3001/62)

ECC 81

EC 92



500V  
CERAMICS  
CERAMIQUE

400V  
CERAMICS  
CERAMIQUE

250V  
PAPER  
PAPER

125V  
PAPER  
PAPER

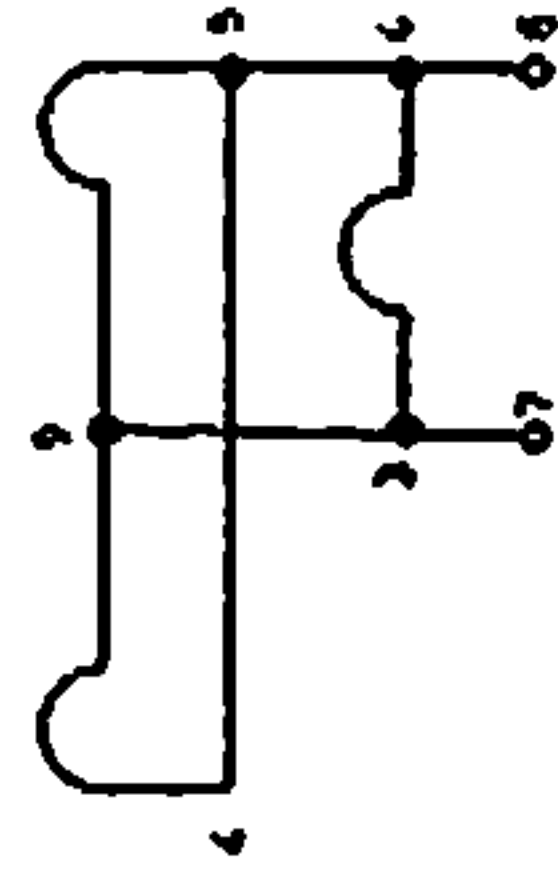
125V  
POLYSTYRENE  
POLYSTYRENE

125V  
POLYSTYRENE  
POLYSTYRENE

Änderungen vorbehalten

ALTERATIONS RESERVED

MODIFICATIONS RESERVEES



5792

C: 10, 11, 12, 13, 14, 15, 16, 17, 18, 19, 20, 21, 22, 23, 24, 25, 26, 27, 28, 29, 30, 31, 32, 33, 34, 35, 36, 37

R: Baustein 7219-003 R1 C1

Baustein 7219-005 C1

Baustein 7219-007 C1

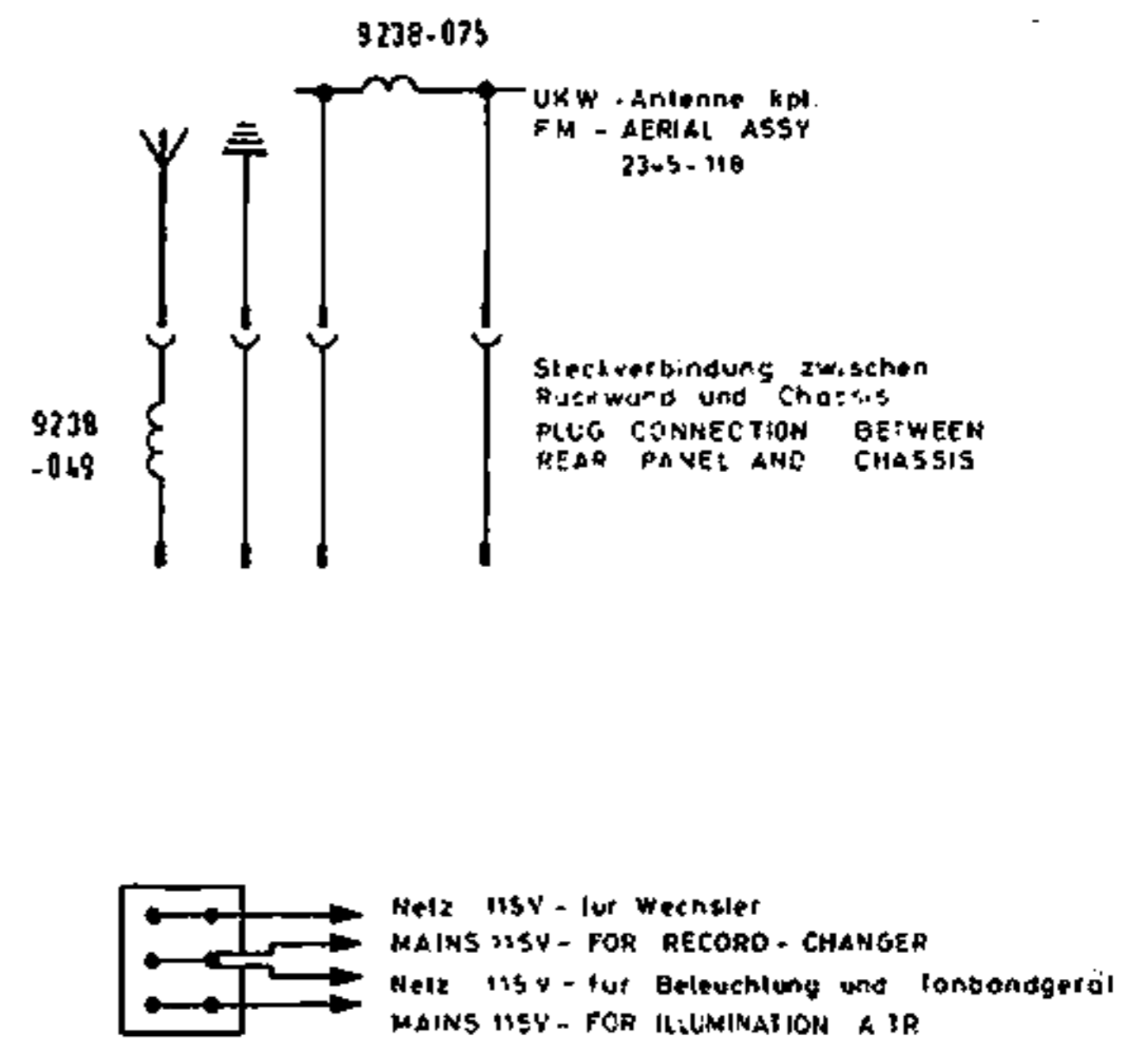
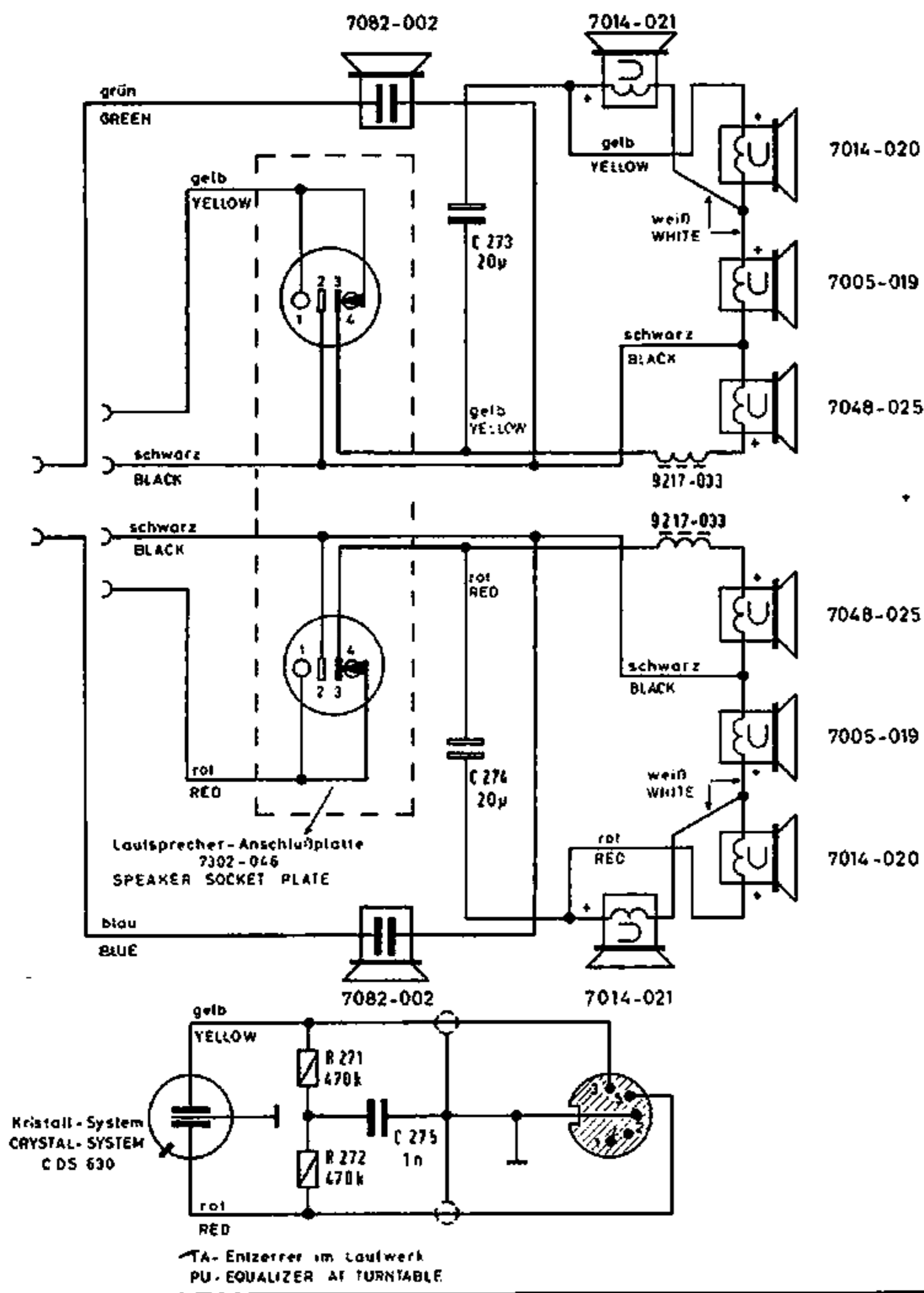
Baustein 7219-006 C1

GRUNDIG

WERKE GMBH FURTH (BAY.)

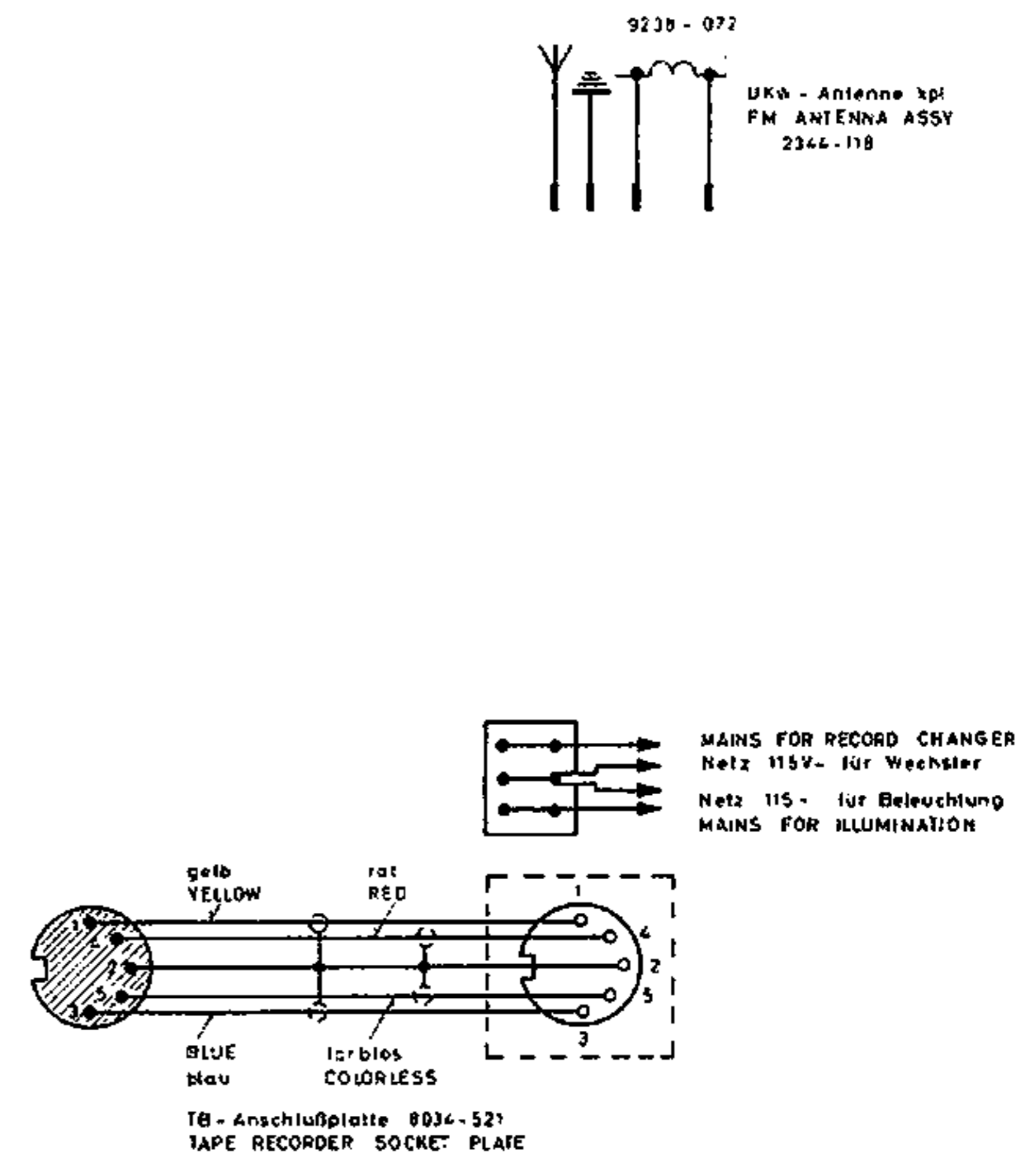
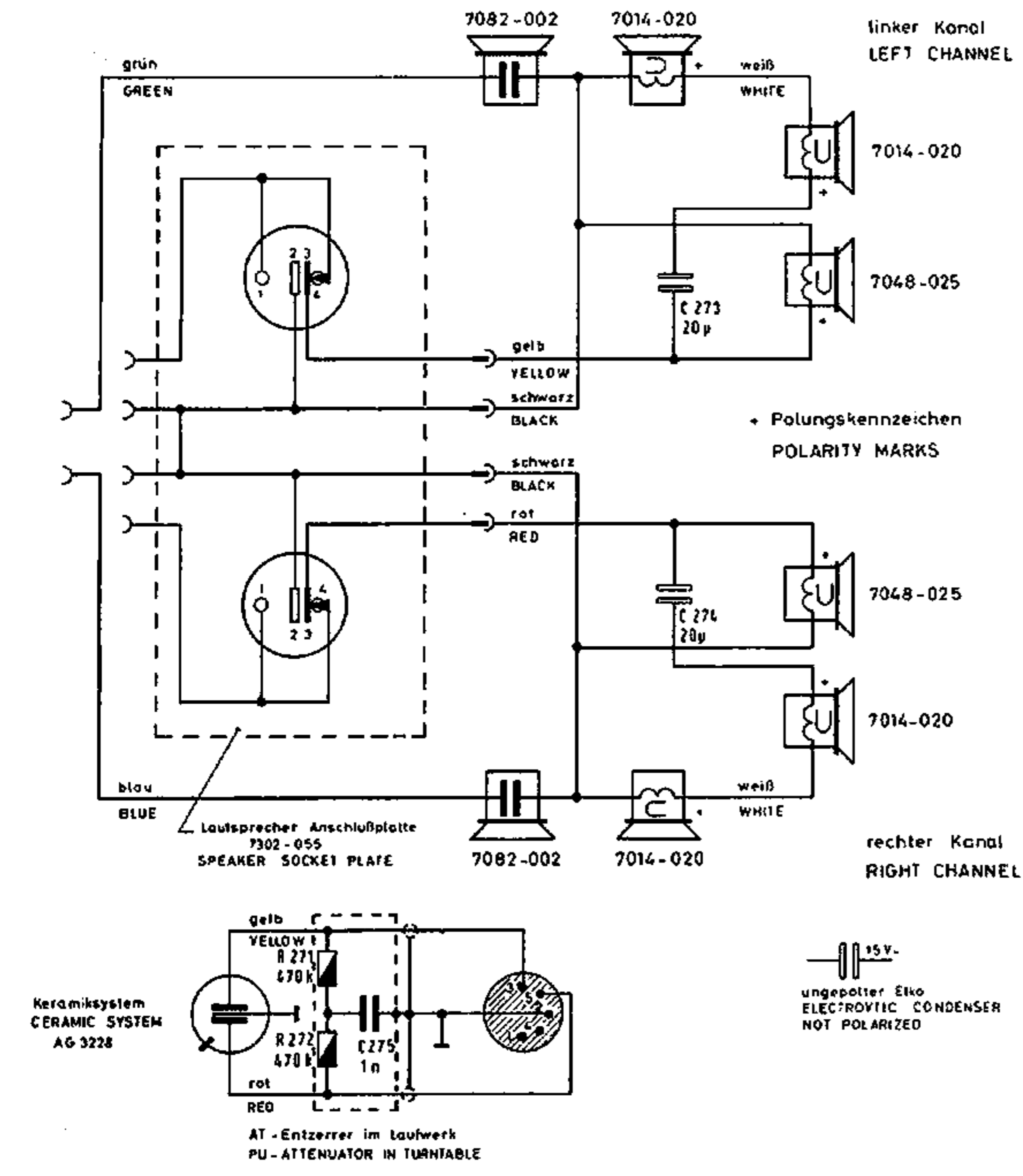
®

Decoder 6 U  
(19-8036-3001/62)



# KS 760 U

C:	275, 273, 274.
R:	275, 272.



# KS 750 U

C:	275, 273, 274.
R:	275, 272.