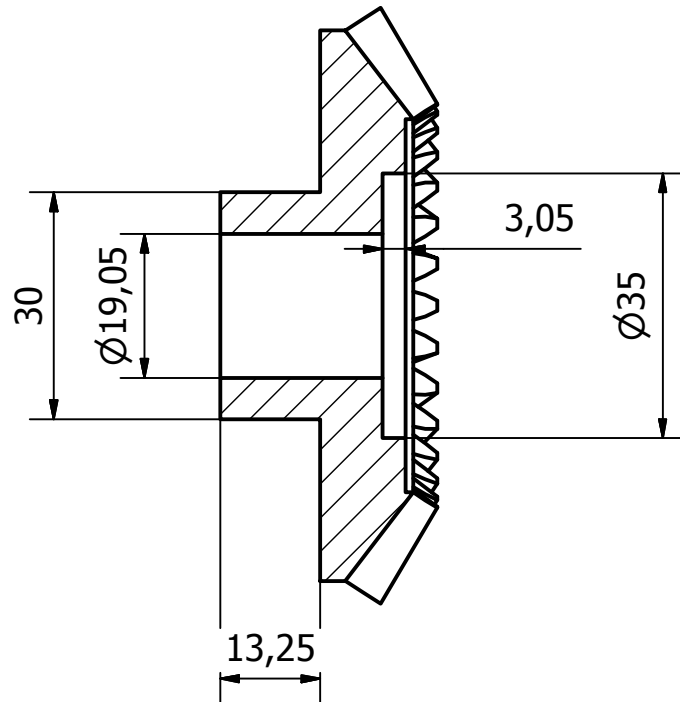
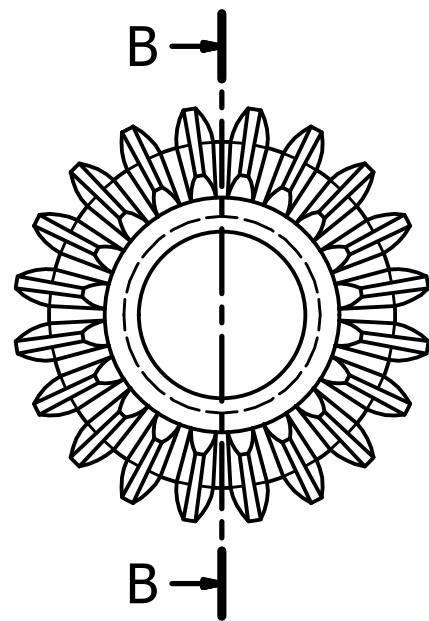


A-A (1 : 1)

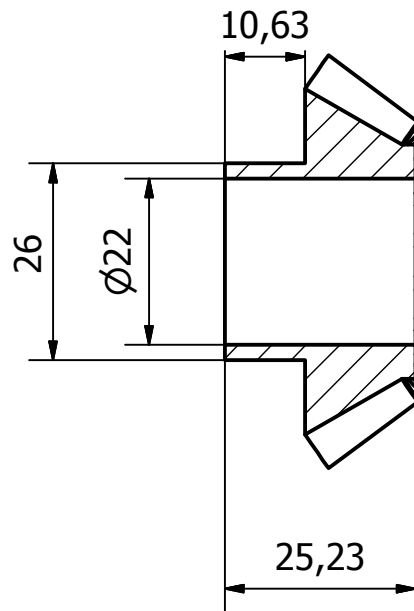


Bevel Pinion Gear, 1.5:1 Ratio, 0.750" Bore, 10 Pitch, 20 Teeth, 20 Degree Pressure Angle, Straight Bevel, Steel

Bevel Gear, 1.5:1 Ratio, 0.750" Bore, 10 Pitch, 30 Teeth, 20 Degree Pressure Angle, Straight Bevel, Steel



B-B (1 : 1)



Designed by	Checked by	Approved by	Date	Date	
Per				2016-11-03	
Bevel Gear21				Edition	Sheet
					1 / 1